

West 6100

1/16 DIN Process Controller



The West 6100 combines technical functionality, field flexibility and ease of use to give you the best in comprehensive process control.

- Heat/Cool operation
- Two process alarms
- Loop alarm
- RS485 comms
- Auto/Manual Tuning
- Ramping setpoint
- Dual setpoint selection
- Configuration via PC



Technical Data

Features

Control Types

Auto/Manual

Output Configuration

Alarm 1 & 2 Types

Human Interface

PC Configuration

Input

Thermocouple

RTD

DC Linear

Impedance

Accuracy

Sampling

Sensor Break Detection

Outputs & Options

Control & Alarm Relays

Control SSR Outputs

Solid State (Triac)

Outputs

Control DC Outputs

Retransmit Outputs

Communications

Dual Setpoint Selection

Operating & Environmental

Temperature & RH

Power Supply

Front Panel Protection

Approvals and

Certification

Full PID with Pre-tune, Self-tune, Manual Tuning, or On-Off control. Heat only or heat & cool

Selectable from front panel, with bumpless transfer

Up to 3 total. Max 2 for control (Heat & Cool), max 2 for Alarms, max 1 for retransmit Process Value or Setpoint

Process high, process low, SP deviation, band, logical OR and hysteresis. Also 1 loop alarm

4 button operation, dual 4 digit 10mm & 8mm high LED displays, plus 3 LED indicators

Off-line configuration from serial port to dedicated config socket (comms option not required)

J, K, R, S, T, B, L, & N.

3 Wire PT100, 50Ω per lead maximum (balanced)

0-20/4-20mA, 0-50/10-50mV, 0-5/1-5/0-10/2-10V. Scaleable -1999 to 9999, dec point available

>100MΩ for Thermocouple and mV ranges, 47KΩ for V ranges and 4.7Ω for mA ranges

+/- 0.25% of input span +/- 1 LSD (T/C CJC better than 0.7°C)

4 per second, 14 bit resolution approximately

<2 secs (except zero based DC ranges), control O/P's turn off, high alarms activate for T/C and mV ranges, low alarms activate for RTD, mA or V ranges.

Contacts SPDT 2Amp resistive at 240V AC, >500,000 operations

Drive capability >4.2V DC in 1KΩ (10V 500Ω version available)

0.01 to 1 Amp AC 20 to 280V, 47 to 63Hz

0-20/4-20mA into 500Ω max, 0-10/0-5V into 500Ω min. Accuracy typically +/- 0.5%

0-20/4-20mA into 500Ω max, 0-10/0-5V into 500Ω min. Accuracy typically +/- 0.25%

2 Wire RS485, 1200 to 9600 Baud, West ASCII (Modbus Optional)

Selects between 2 SP's using volt free or TTL input (SP1 = -0.6 to 0.8V, SP2 = 2 to 24V)

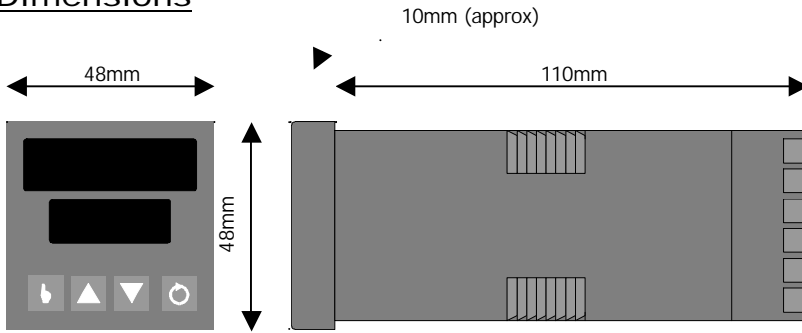
0 to 55°C (-20 to 80°C storage), 20% to 95%RH non-condensing

90 to 264V 50/60Hz (optional 20 to 55V AC/22 to 65V DC), approx 4 Watts

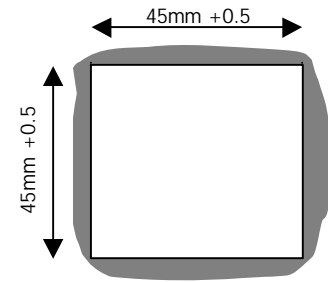
IEC IP66 (Behind panel protection is IP20)

CE, UL & ULc

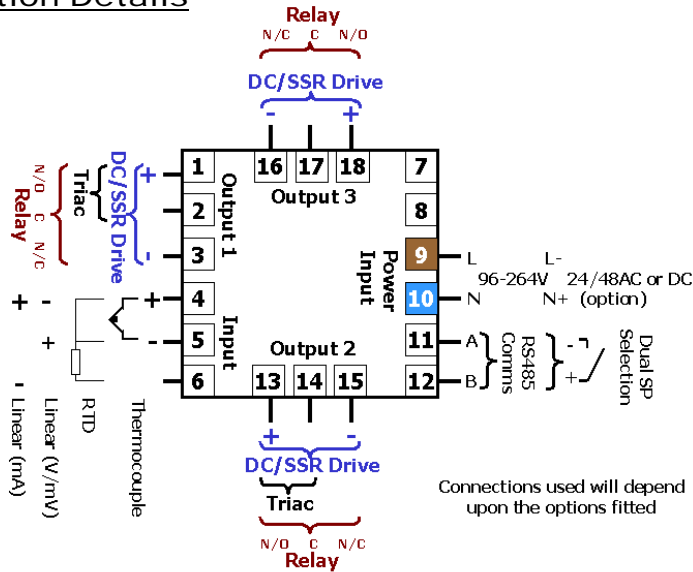
Dimensions



Panel Cut-out



Connection Details



Field Reconfiguration

Input

Configurable to any type, no extra parts required

Output 1

Type is fixed as ordered. Either Relay/SSR (selectable), Triac or DC Linear (selectable for mV, mA, Volts)

Output 2

Configurable as Cool O/P or Alarm via plug-in Relay, SSR, Triac or DC Linear modules

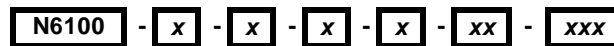
Output 3

Configurable as Alarm via plug-in Relay or SSR modules, or retransmit using DC Linear module

Option Slot

Configurable as RS485 comms or dual setpoint selection, via plug-in modules

Order Code



Input type

3 Wire RTD or DC mV	1
Thermocouple	2
DC mA	3
DC Voltage	4

Output 1

Relay Control	1
DC for SSR Control	2
DC 0-10V Control	3
DC 0-20mA Control	4
DC 0-5V SP Control	5
DC 4-20mA Control	7
Triac Control	8

Output 2

Not fitted	0
Relay Control or Alarm 2	1
DC for SSR Control or Alarm 2	2
DC 0-10V Control	3
DC 0-20mA Control	4
DC 0-5V Control	5
DC 4-20mA Control	7
Triac Control	8

Special Variants

Blank	Special Variant not required
S09	MODBUS instead of West ASCII (requires RS485 option)
S14	10V DC SSR outputs (requires SSR output codes)

Options and Power Supply

00	No Options/90-264V AC line supply
02	No Options/24-48V AC or DC line supply
10	RS485 Comms/90-264V AC line supply
12	RS485 Comms/24-48V AC or DC supply
30	Dual Setpoint/90-264V AC line supply
32	Dual Setpoint/24-48V AC or DC supply

Output 3

0	Not fitted
1	Relay Alarm 1 output
2	DC for SSR Alarm 1 output
3	DC 0-10V Re-Transmit PV or SP
4	DC 0-20mA Re-Transmit PV or SP
5	DC 0-5V Re-Transmit PV or SP
7	DC 4-20mA Re-Transmit PV or SP

In accordance with our policy of continuous improvement, we reserve the right to change specifications from those shown in this document.

West Instruments Ltd

The Hyde Business Park
Brighton, BN2 4JU
East Sussex
England

Tel: +44 (0)1273 606271
Fax: +44 (0)1273 609990
e-mail: info@west-inst.co.uk
www.west-inst.co.uk

