

# West 6400

## 1/16 DIN Profiler Controller



The 6400 is one of the most powerful profilers of its size available. It features our proven RaPID fuzzy logic control algorithm, for faster, more accurate control. 4 programs can be held in memory.

- Free-form programming
- Delayed start
- Guaranteed soak
- Power fail recovery
- Event/profile active outputs
- Remote Start
- Modbus comms
- PC support software



### Technical Data

#### Features

Control Types  
Auto/Manual  
Output Configuration  
Alarm 1 & 2 Types  
Human Interface  
PC Configuration

#### Profiles

Number of Programs  
Delayed Start  
Guaranteed Soak  
Program Cycles  
Ramp Rate Definition  
Power Loss Recovery

#### Input

Thermocouple  
RTD  
DC Linear  
Impedance  
Accuracy  
Sampling  
Sensor Break Detection

#### Outputs & Options

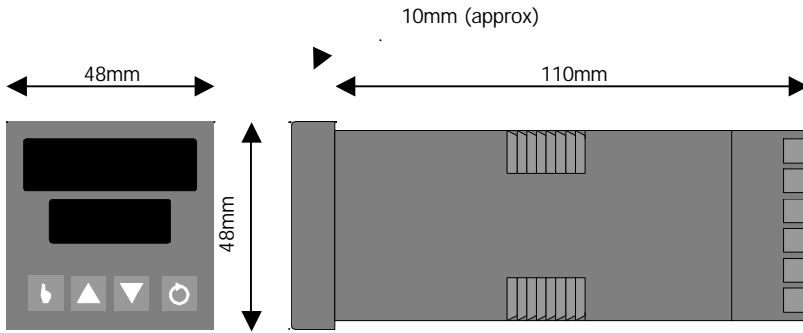
Control/Alarm/Event  
Relay  
DC for SSR  
DC Control/Retransmit  
Solid State (Triac)  
Remote Run-Hold  
Communications

#### Operating & Environmental

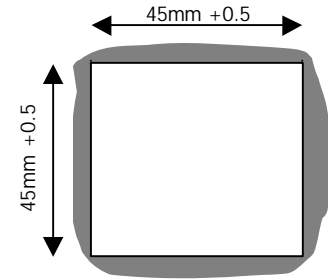
Temperature & RH  
Power Supply  
Front Panel Protection  
Approvals and  
Certification

PID with Pre-tune and RaPID fuzzy logic, or Manual Tuning. Heat or Heat/Cool, applications
Selectable from front panel, with bumpless transfer
Up to 3 total. Max 2 for control (Heat & Cool), max 2 for Alarms, max 1 for retransmit PV or SP
Process high, process low, setpoint deviation and band
4 buttons, 10mm & 8mm high LED's, plus run-hold, tune, event & profile/control status LED's
Off-line configuration & profile editing via config socket (comms option not required)
4, each with 16 free-form segments (Ramp/Dwell/End). Max segment length 99 hours 59 minutes
Max 99 hours 59mins delay from initiation to program start
Holds program if PV is outside of specified hold band during dwell segments.
1 to 9999 or infinite (continuously re-starts program at end)
Either ramp rate, or time to final setpoint
Hot (continue profile from point of power fail) or Cold (end profile and return to controller mode)
J, K, R, S, T, B, L, & N.
3 Wire PT100, 50Ω per lead maximum (balanced)
0-20/4-20mA, 0-50/10-50mV, 0-5/1-5/0-10/2-10V. Scaleable -1999 to 9999, dec point available
>100MΩ for Thermocouple and mV ranges, 47KΩ for V ranges and 4.7Ω for mA ranges
+/- 0.25% of input span +/- 1 LSD (T/C CJC better than 0.7°C)
4 per second, 14 bit resolution approximately
<2 secs (except zero based DC ranges), control O/P's turn off, *high alarms activate (*low for RTD)
Contacts SPDT 2Amp resistive at 240V AC, >500,000 operations
Drive capability >4.2V DC in 1KΩ (10V 500Ω version available)
0-20/4-20mA into 500Ω max, 0-10/0-5V into 500Ω min. Control OP +/- 0.5%, Retransmit +/- 0.25%
0.01 to 1 Amp AC 20 to 280V, 47 to 63Hz
Volt free or TTL input (Hold = -0.6 to 0.8V or contact open, Run = 2 to 24V or contact close)
2 Wire RS485, 1200 to 9600 Baud, Modbus
0 to 55°C (-20 to 80°C storage), 20% to 95%RH non-condensing
90 to 264V 50/60Hz (optional 20 to 55V AC/22 to 65V DC), approx 4 Watts
IEC IP66 (Behind panel protection is IP20)
CE, UL & ULc

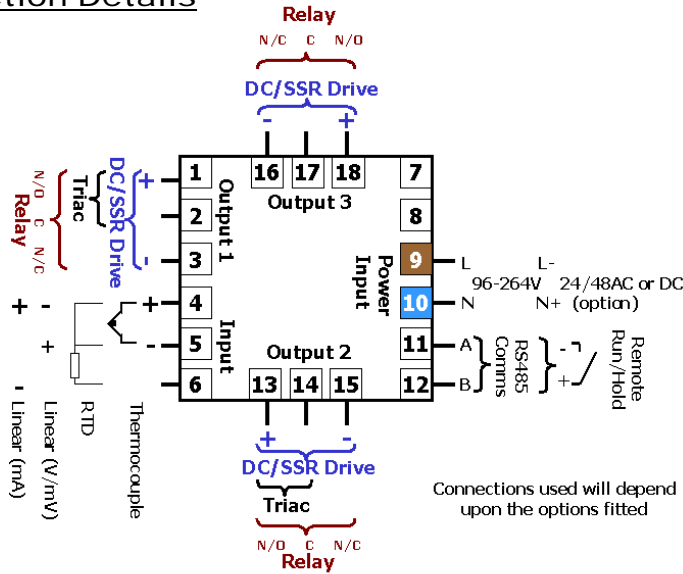
## Dimensions



## Panel Cut-out



## Connection Details



## Field Reconfiguration

### Input

Configurable to any type, no extra parts required

### Output 1

Type is fixed as ordered. Either Relay/SSR (selectable), Triac or DC Linear (selectable for mV, mA, Volts)

### Output 2

Configurable as Cool O/P or Alarm, Event or Profile Active via plug-in Relay, Cool O/P or Alarm via plug-in SSR module, or Cool O/P only via Triac or DC Linear modules

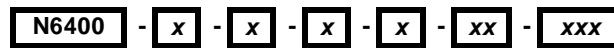
### Output 3

Configurable as Alarm, Event or Profile Active via plug-in Relay, Alarm via plug-in SSR module, or retransmit using DC Linear module

### Option Slot

Configurable as RS485 comms or remote run-hold, via plug-in modules

## Order Code



### Input type

3 Wire RTD or DC mV	1
Thermocouple	2
DC mA	3
DC Voltage	4

### Output 1

Relay Control	1
DC for SSR Control	2
DC 0-10V Control	3
DC 0-20mA Control	4
DC 0-5V SP Control	5
DC 4-20mA Control	7
Triac Control	8

### Output 2

Not fitted	0
Relay Ctrl, Alarm 2, Event or Profile Active	1
DC for SSR Control or Alarm 2	2
DC 0-10V Control	3
DC 0-20mA Control	4
DC 0-5V Control	5
DC 4-20mA Control	7
Triac Control	8

### Special Variants

Blank	Special variant not required
S14	10V DC SSR outputs (requires SSR output codes)

### Options and Power Supply

00	No Options/90-264V AC line supply
02	No Options/24-48V AC or DC line supply
10	RS485 Comms/90-264V AC line supply
12	RS485 Comms/24-48V AC or DC line supply
30	Remote Run-Hold/90-264V AC line supply
32	Remote Run-Hold/24-48V AC/DC line supply

### Output 3

0	Not fitted
1	Relay Ctrl, Alarm 1, Event or Profile Active
2	DC for SSR Alarm 1 output
3	DC 0-10V Re-Transmit PV or SP
4	DC 0-20mA Re-Transmit PV or SP
5	DC 0-5V Re-Transmit PV or SP
7	DC 4-20mA Re-Transmit PV or SP

In accordance with our policy of continuous improvement, we reserve the right to change specifications from those shown in this document.

## West Instruments Ltd

The Hyde Business Park  
Brighton, BN2 4JU  
East Sussex  
England

Tel: +44 (0)1273 606271  
Fax: +44 (0)1273 609990  
e-mail: info@west-inst.co.uk  
[www.west-inst.co.uk](http://www.west-inst.co.uk)

